

N300 Wireless ADSL Router

DS124WSU



300Mbps



USB Sharing



Parental Control



IPv6

Specifications

General

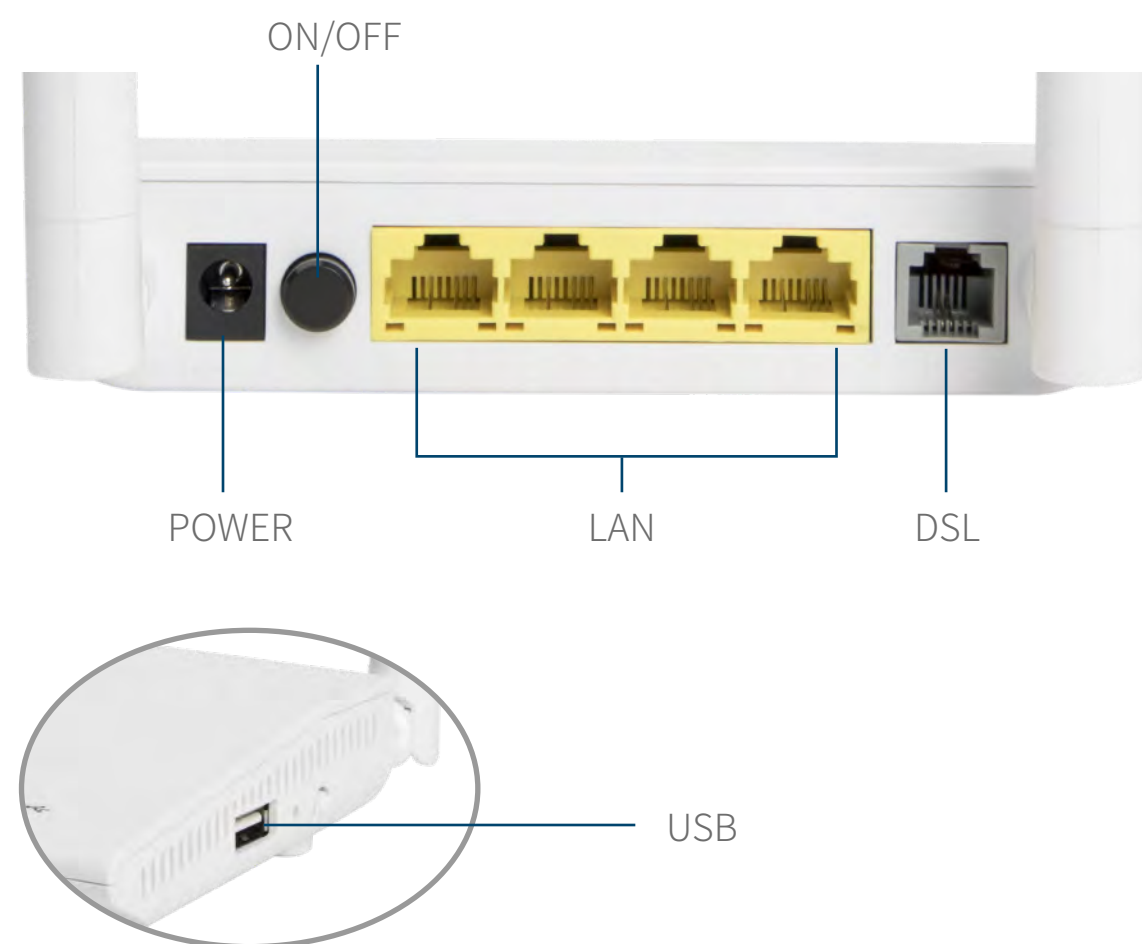
- **IEEE Standards:** IEEE 802.3, 802.3u, 802.11n, 802.11g, 802.11b
- **ADSL Standards:** Full-rate ANSI T1.413 Issue 2, ITU-T G.992.1(G.DMT), ITU-T G.992.2(G.Lite), ITU-T G.994.1(G.hs)
- **ADSL2 Standards:** ITU-T G.992.3 (G.dmt.bis), ITU-T G.992.4 (G.lite.bis)
- **ADSL2+ Standards:** ITU-T G.992.5
- **DATA RATES:**
 - Downstream: Up to 24Mbps
 - Upstream: Up to 3.5Mbps (with Annex M enabled)
- **ATM / PPP Protocols:**
 - ATM Forum UNI3.1/4.0 PVC (up to 8 PVCs)
 - ATM Adaptation Layer Type 5 (AAL5)
 - Traffic Shaping (ATM QoS) UBR, CBR, VBR-rt, VBR-nrt
 - Bridged and routed Ethernet encapsulation
 - VC and LLC based multiplexing
 - PPP over Ethernet (RFC2516)
 - PPP over ATM (RFC 2364)
 - IPoA (RFC1577/2225)

- **Main Features:**
 - Bandwidth Control
 - Dynamic Host Configuration Protocol (DHCP), DHCP relay
 - Network Address Translation (NAT)
 - Static Routing, RIP v1/v2
 - VPN(PPTP, L2TP, IPSec) Pass-through
 - PVC/Ethernet Port Grouping
 - DNS Relay, DDNS
 - IGMP Multicast, IGMP snooping V1/2
 - Virtual server, DMZ, ACL(Access Control List)
 - UPnP
- **Management:**
 - Web Based Configuration, Remote management, Telnet management, Command Line Interface(CLI), SSL for TR-069, SNMP v1/2c, SNMP over EOC, Web Based Firmware Upgrade, CWMP(TR-069), Diagnostic Tools
- **Security:** NAT and SPI Firewall, MAC / IP / Packet / URL Filtering
- **Operation Frequency:** 2.4GHz
- **Wireless Speed:** 11N: Up to 300Mbps
- **Wireless Security:** Provides 64/128-bit WEP encryption security, WPA-PSK/WPA2-PSK authentication and TKIP/AES encryption security

Specifications

Hardware

- Interfaces: 1 x RJ11 DSL Port, 4 x RJ45 LAN Port, 1 x USB 2.0 Port
- LED Indicators: Power, DSL, Intelnet, WLAN, WPS, USB, LAN1-LAN4
- Buttons: Power ON/OFF Button, WPS/ WiFi Button, Reset Button
- Power Supply: DC 12V 1A
- Antenna: 2 x Fixed Omni-directional Antenna
- Dimensions (W X D X H): 132 x 94 x 27mm



Environment

- Operating Temperature: 0°C~40°C (32°F~104°F)
- Storage Temperature: -40°C~70°C (-40°F~158°F)
- Relative Humidity: 10%~90%, non-condensing
- Storage Humidity: 5%~90%, non-condensing

Package Contents

- 1 x Wireless Modem Router
- 1 x Quick Installation Guide
- 1 x Power Adapter
- 1 x Ethernet Cable
- 1 x Telephone Line
- 1 x ADSL Splitter

Certifications

- CE, RoHS